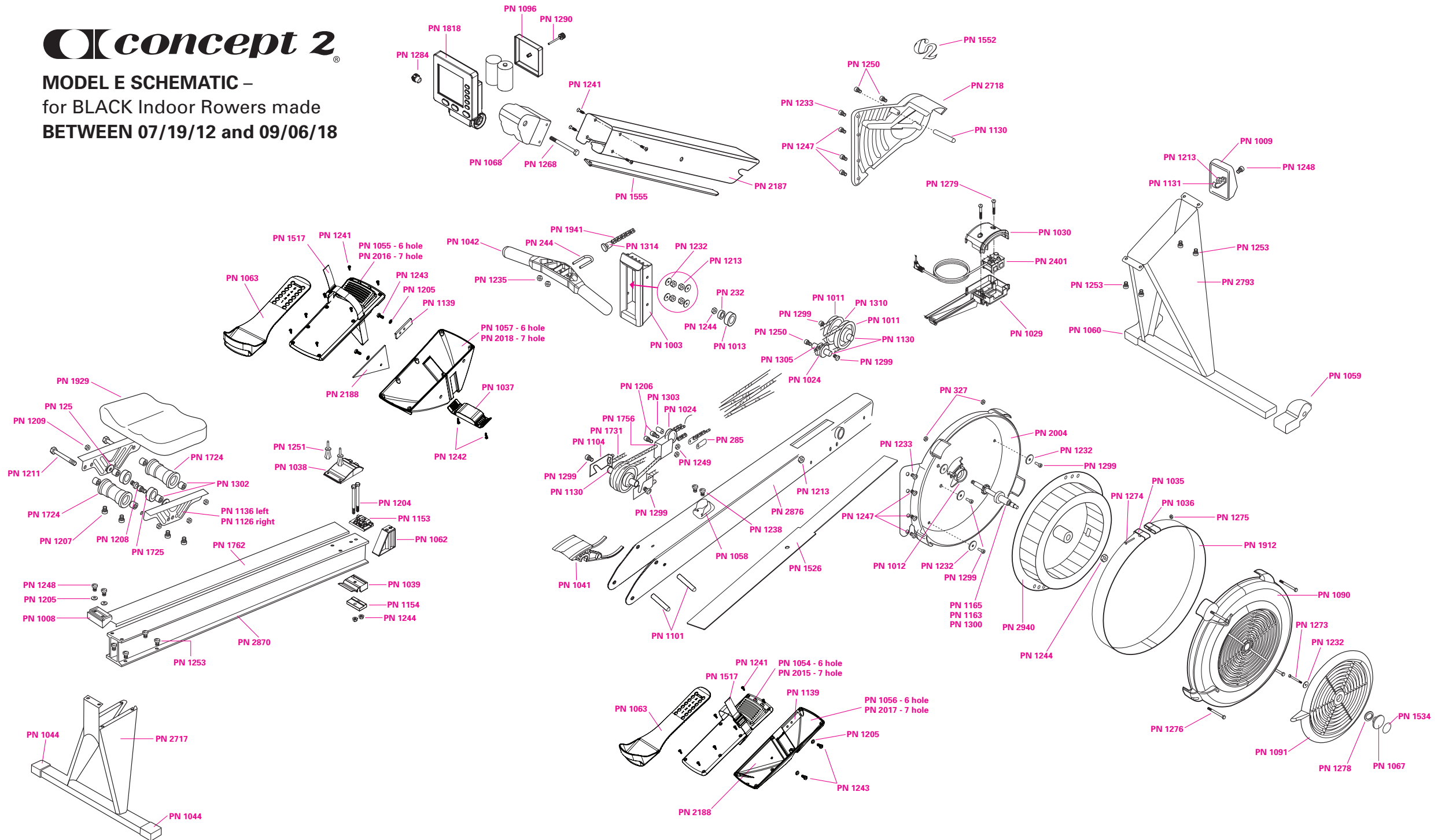




**MODEL E SCHEMATIC –**  
for BLACK Indoor Rowers made  
**BETWEEN 07/19/12 and 09/06/18**



PN	Description
125	WASHER 3/8
232	R8 BEARING
244	U BOLT
285	CHAIN CONNECTOR SMALL
327	NUT #10 SS
1003	CHAIN GUIDE
1008	REAR BUMPER
1009	END CAP
1011	SHOCK CORD PULLEY
1012	17MM BEARING RUBBER CUP
1013	R8 BEARING CUP
1024	CHAIN IDLER PULLEY
1029	GENERATOR BASE
1030	GENERATOR COVER
1035	PERF CONNECTOR SCREW SIDE
1036	PERF CONNECTOR NUT SIDE
1037	COMPRESSION MEMBER
1038	UPPER HANGER PLASTIC
1039	LOWER HANGER PLASTIC
1041	MOUSE
1042	HANDLE
1044	REAR FOOT D/E
1054	FOOT STRETCHER COVER RIGHT - 6 SCREW HOLES
1055	FOOT STRETCHER COVER LEFT - 6 SCREW HOLES
1056	BELLY RIGHT FOOT STRETCHER - 6 SCREW HOLES
1057	BELLY LEFT FOOT STRETCHER - 6 SCREW HOLES
1058	HANDLE HOOK MODEL D2/E
1059	FOOTCASTER RIGHT
1060	FOOTCASTER LEFT
1062	MONORAIL BOLT SUPPORT
1063	FLEXFOOT - GRAY
1067	HUB CAP MODEL D2 / E
1068	MONITOR MOUNT
1090	FAN COVER E - BLACK
1091	DAMPER E BLACK
1096	BATTERY DOOR PM5
1101	HANGER SHAFT THREADED
1104	SCAM
1130	AXLE SHOCK CORD/CHAIN IDLER PULLEY
1131	END CAP HOOK
1126	SEAT CARRIAGE RIGHT - BLACK
1136	SEAT CARRIAGE LEFT - BLACK
1139	REINFORCING BRACKET
1153	UPPER DIE CAST HANGER
1154	LOWER DIE CAST HANGER
1163	SPROCKET
1165	AXLE
1204	SCREW 3/8 - 16 X 5.5 ZP GR5
1205	LOCK WASHERS
1206	TRAVELING PULLEY SCREWS
1207	SCREW SL HWMS 10/24 X 1/2 PATCH
1208	SCREW 3/8 - 16 X 1.25 LOW PROFILE SH
1209	NUT 3/8 - 16 BC NYLOCK

PN	Description
1211	SCREW 3/8 - 16 X 4.5 BC
1213	1/4 20 NUT
1231	SCREW 1/4 - 20 X 1/2 SS BUTTONHEAD PATCH C/D/E
1232	FENDER WASHER
1233	HSBH 1/4 X 20 X 1 SS UNPATCHED
1235	NUT 1/4 - 20 NYLOCK SS
1238	SOCKET SCREW 1/4-20 X 3/8
1241	10 X 1/2 TFS SCREW
1242	10 X 3/4 TFS SCREW
1243	1/4 - 20 X 5/8 HCS GR .5 ZP
1244	3/8 - 16 ZP NYLOCK ZINC
1247	1/4 20 X 1 SS BUTTON PATCHED
1248	SCREW 1/4 - 20 X 3/4 SS BUTTONHEAD C/D/E
1249	NUT 1/4 - 20 ZP THIN NYLOCK
1250	1/4 - 20 X 1.5 SS BUTTON
1251	POLY RIVET
1253	SCREW 1/4 - 20 X 5/8 SS EPOXY PATCH BUTTONHEAD C/D/E
1268	HCS 3/8 X 3 SS WAXED
1273	DAMPER SCREW
1274	PAN PH #6 X SS
1275	#6 NUT STAINLESS STEEL
1276	FLYWHEEL COVER BOLT
1278	WAVE WASHER
1279	#8 PAN HEAD PHILLIPS SS SCREW
1284	KNOB MONITOR MOUNT
1290	THUMBSCREW BATTERY DOOR
1299	6 LOBE SCREW 1/4 - 20 X 1/2 SS
1300	BEARING 17MM
1302	SEAT SPACER
1303	TRAVELING PULLEY SPACER
1305	IDLER PULLEY SPACER
1310	SC PULLEY SPACER
1314	SWIVEL BUSHING
1456	BATTERY COVER PM3/4 (NOT SHOWN)
1517	FOOTSTRAP WITH BUCKLE (ONE PER SIDE)
1526	RETURN MECHANISM COVER
1534	LABEL HUB CAP D/E
1552	C2 NAMEPLATE EMBLEM
1555	E MONITOR ARM COVER
1724	TOP ROLLER
1725	BOTTOM ROLLER
1731	SHOCK CORD
1756	TRAVELING PULLEY ASSY
1762	TRACK/TAPE ASSEMBLY W/RIVET
1818	PM5 MONITOR D/E/DYNAMIC
1912	OUTLET PERF WITH CONNECTORS
1929	SEAT TOP W/SCREWS
1941	NICKEL PLATED CHAIN W/CONNECTORS
2004	FLYWHEEL COVER - BLACK
2015	FOOT STRETCHER COVER RIGHT - 7 SCREW HOLES
2016	FOOT STRETCHER COVER LEFT - 7 SCREW HOLES
2017	BELLY RIGHT FOOT STRETCHER - 7 SCREW HOLES
2018	BELLY LEFT FOOT STRETCHER - 7 SCREW HOLES

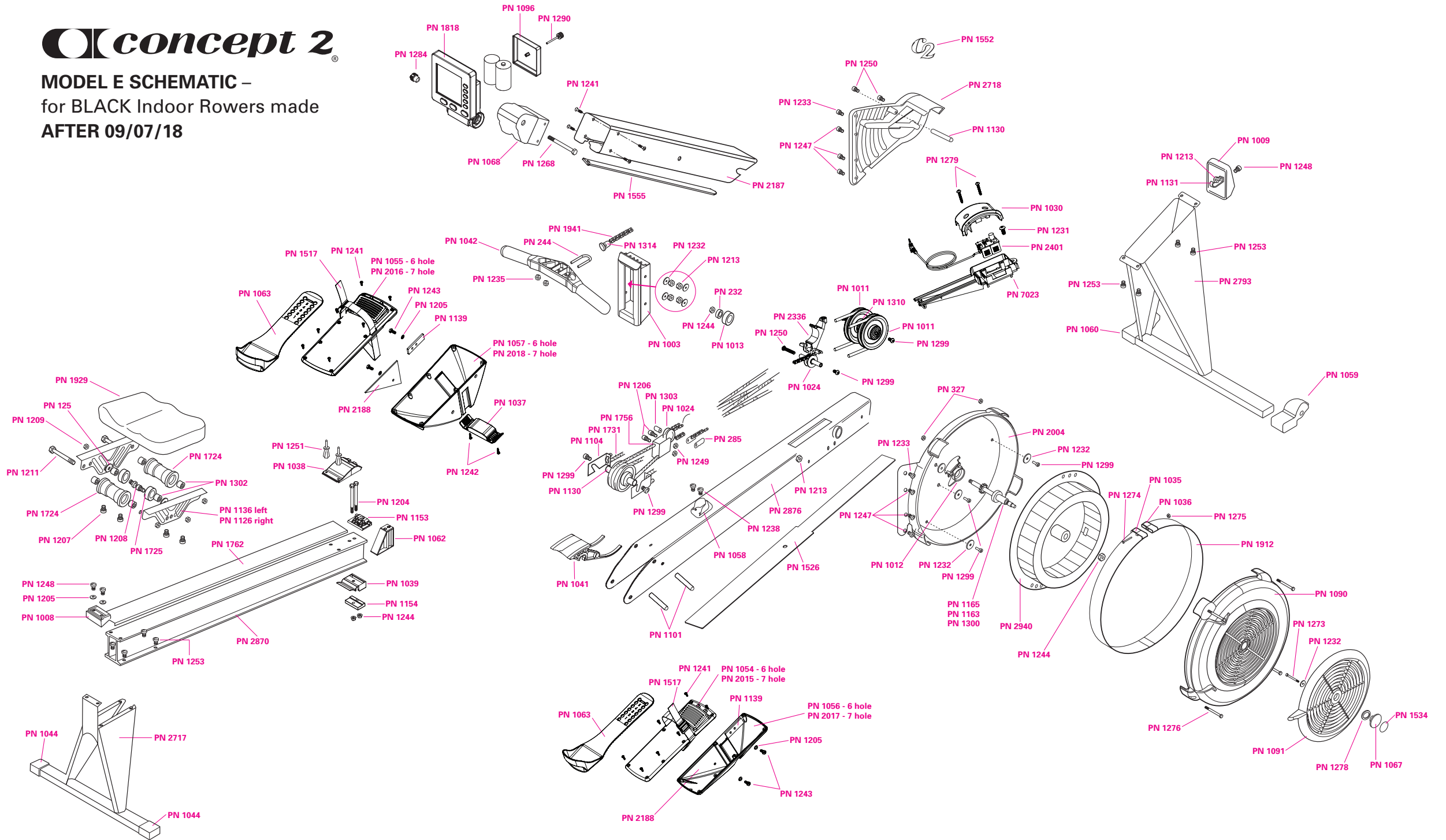
PN	Description
2187	MONITOR ARM MODEL E - BLACK
2188	INTERNAL BRACE FOOT BELLY D/E
2401	SENSOR COIL
2717	REAR LEG WITH FEET
2718	CHAIN HOUSING WITH C2 EMBLEM
2793	FRONT LEG AND FOOT WITH CASTER E
2870	MONORAIL WITH TRACK ASSEMBLY - BLACK
2876	BOX FRAME E - BLACK
2940	FLYWHEEL ASSEMBLY (MACHINES MADE 10/30/06 OR LATER)



**MODEL E SCHEMATIC –  
for BLACK Indoor Rowers made  
BETWEEN 07/19/12 and 09/06/18**



**MODEL E SCHEMATIC –**  
for BLACK Indoor Rowers made  
**AFTER 09/07/18**



PN	Description
125	WASHER 3/8
232	R8 BEARING
244	U BOLT
285	CHAIN CONNECTOR SMALL
327	NUT #10 SS
1003	CHAIN GUIDE
1008	REAR BUMPER
1009	END CAP
1011	SHOCK CORD PULLEY
1012	17MM BEARING RUBBER CUP
1013	R8 BEARING CUP
1024	CHAIN IDLER PULLEY
1029	GENERATOR BASE
1030	GENERATOR COVER
1035	PERF CONNECTOR SCREW SIDE
1036	PERF CONNECTOR NUT SIDE
1037	COMPRESSION MEMBER
1038	UPPER HANGER PLASTIC
1039	LOWER HANGER PLASTIC
1041	MOUSE
1042	HANDLE
1044	REAR FOOT D/E
1054	FOOT STRETCHER COVER RIGHT - 6 SCREW HOLES
1055	FOOT STRETCHER COVER LEFT - 6 SCREW HOLES
1056	BELLY RIGHT FOOT STRETCHER - 6 SCREW HOLES
1057	BELLY LEFT FOOT STRETCHER - 6 SCREW HOLES
1058	HANDLE HOOK MODEL D2/E
1059	FOOTCASTER RIGHT
1060	FOOTCASTER LEFT
1062	MONORAIL BOLT SUPPORT
1063	FLEXFOOT - GRAY
1067	HUB CAP MODEL D2 / E
1068	MONITOR MOUNT
1090	FAN COVER E - BLACK
1091	DAMPER E BLACK
1096	BATTERY DOOR PM5
1101	HANGER SHAFT THREADED
1104	SCAM
1130	AXLE SHOCK CORD/CHAIN IDLER PULLEY
1131	END CAP HOOK
1126	SEAT CARRIAGE RIGHT - BLACK
1136	SEAT CARRIAGE LEFT - BLACK
1139	REINFORCING BRACKET
1153	UPPER DIE CAST HANGER
1154	LOWER DIE CAST HANGER
1163	SPROCKET
1165	AXLE
1204	SCREW 3/8 - 16 X 5.5 ZP GR5
1205	LOCK WASHERS
1206	TRAVELING PULLEY SCREWS
1207	SCREW SL HWMS 10/24 X 1/2 PATCH
1208	SCREW 3/8 - 16 X 1.25 LOW PROFILE SH
1209	NUT 3/8 - 16 BC NYLOCK

PN	Description
1211	SCREW 3/8 - 16 X 4.5 BC
1213	1/4 20 NUT
1231	SCREW 1/4 - 20 X 1/2 SS BUTTONHEAD PATCH C/D/E
1232	FENDER WASHER
1233	HSBH 1/4 X 20 X 1 SS UNPATCHED
1235	NUT 1/4 - 20 NYLOCK SS
1238	SOCKET SCREW 1/4-20 X 3/8
1241	10 X 1/2 TFS SCREW
1242	10 X 3/4 TFS SCREW
1243	1/4 - 20 X 5/8 HCS GR .5 ZP
1244	3/8 - 16 ZP NYLOCK ZINC
1247	1/4 20 X 1 SS BUTTON PATCHED
1248	SCREW 1/4 - 20 X 3/4 SS BUTTONHEAD C/D/E
1249	NUT 1/4 - 20 ZP THIN NYLOCK
1250	1/4 - 20 X 1.5 SS BUTTON
1251	POLY RIVET
1253	SCREW 1/4 - 20 X 5/8 SS EPOXY PATCH BUTTONHEAD C/D/E
1268	HCS 3/8 X 3 SS WAXED
1273	DAMPER SCREW
1274	PAN PH #6 X SS
1275	#6 NUT STAINLESS STEEL
1276	FLYWHEEL COVER BOLT
1278	WAVE WASHER
1279	#8 PAN HEAD PHILLIPS SS SCREW
1284	KNOB MONITOR MOUNT
1290	THUMBSCREW BATTERY DOOR
1299	6 LOBE SCREW 1/4 - 20 X 1/2 SS
1300	BEARING 17MM
1302	SEAT SPACER
1303	TRAVELING PULLEY SPACER
1305	IDLER PULLEY SPACER
1310	SC PULLEY SPACER
1314	SWIVEL BUSHING
1456	BATTERY COVER PM3/4 (NOT SHOWN)
1517	FOOTSTRAP WITH BUCKLE (ONE PER SIDE)
1526	RETURN MECHANISM COVER
1534	LABEL HUB CAP D/E
1552	C2 NAMEPLATE EMBLEM
1555	E MONITOR ARM COVER
1724	TOP ROLLER
1725	BOTTOM ROLLER
1731	SHOCK CORD
1756	TRAVELING PULLEY ASSY
1762	TRACK/TAPE ASSEMBLY W/RIVET
1818	PM5 MONITOR D/E/DYNAMIC
1912	OUTLET PERF WITH CONNECTORS
1929	SEAT TOP W/SCREWS
1941	NICKEL PLATED CHAIN W/CONNECTORS
2004	FLYWHEEL COVER - BLACK
2015	FOOT STRETCHER COVER RIGHT - 7 SCREW HOLES
2016	FOOT STRETCHER COVER LEFT - 7 SCREW HOLES
2017	BELLY RIGHT FOOT STRETCHER - 7 SCREW HOLES
2018	BELLY LEFT FOOT STRETCHER - 7 SCREW HOLES

PN	Description
2187	MONITOR ARM MODEL E - BLACK
2188	INTERNAL BRACE FOOT BELLY D/E
2336	SPACER ANTI-SKIP ANTI-THROW
2401	SENSOR COIL
2717	REAR LEG WITH FEET
2718	CHAIN HOUSING WITH C2 EMBLEM
2793	FRONT LEG AND FOOT WITH CASTER E
2870	MONORAIL WITH TRACK ASSEMBLY - BLACK
2876	BOX FRAME E - BLACK
2940	FLYWHEEL ASSEMBLY (MACHINES MADE 10/30/06 OR LATER)
7023	GENERATOR BASE W/ASAT SPACER



**MODEL E SCHEMATIC –**  
for BLACK Indoor Rowers made  
**AFTER 09/07/18**